

COLD FRONT 400

When your people are on the job, workplace heat can't go ignored. Cold Front 400 delivers the cooling they need to work safely and efficiently, with options to best fit your facility. Larger media and variable-speed control allow you to adjust Cold Front 400 as conditions in your space change.



KEY FEATURES

- ▶ Quickly cool indoor and outdoor spaces by up to 33 °F (18 °C)
- ▶ Perfect for production facilities, outdoor dining, and gyms
- ▶ Variable-speed motor
- ▶ 8-inch (20-centimeter) cooling media
- ▶ 36-inch (91-centimeter) fan diameter
- ▶ 46-gallon (174-liter) reservoir lasts up to 10 hours without hose connection

COVERAGE AREA

UP TO 3,600 SQUARE FEET
(330 SQUARE METERS)

AIRFLOW

UP TO 9,700 CFM

CONTROL

VARIABLE SPEED

VOLTAGE

**110 V
OR
230 VAC**



BIG ASS FANS

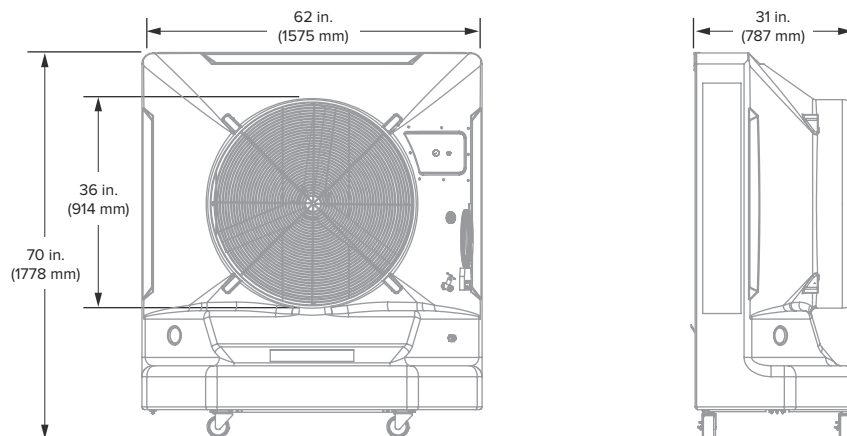
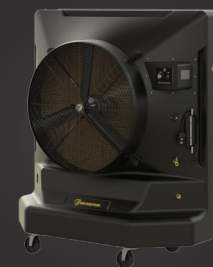
**EXCEPTIONALLY
ENGINEERED**

DISCOVER MORE ABOUT COLD FRONT

Learn more at bigassfans.com/cold-front
or call **877.BIG.FANS** for a free custom quote.

COLD FRONT 400

DELIVER COOLER CONDITIONS AT A MOMENT'S NOTICE



Technical Specifications

Model	Ordering Information	Input power and required breaker	Amperage ¹	Drive	Motor	Weight	Water Capacity	Inlet Water Supply Pressure	Environment ²	Airflow and Coverage	Sound Level ³	Operating Temperature
Cold Front 400	F-EV1-3601 F-EV1-3602	120 VAC, 60 Hz, 1Φ, 15 A 220/230 VAC, 50/60 Hz, 1Φ, 10 A	8 A 5 A	Variable Speed	0.75 hp (0.5 kW)	220 lb (99.8 kg)	46 gal (174 L)	120 PSI Max	Well-ventilated indoor or outdoor space	6,400–9,700 cfm 3600 sq ft	61 dBA	0 to 104 °F (-18 to 40 °C)

Construction

Housing	Motor	Power Supply	Water Supply	Cooling Media	Maintenance
UV-resistant roto-molded polyethylene housing Four locking swivel casters	High-efficiency, totally enclosed	10 ft (3 m) ground fault protected power cord plugs into standard electrical outlet Cord wrap for easy storage	Accepts standard garden hose or portable supply tank Water level regulated by float valve Low-water shutoff for pump longevity	Made from thick cross-corrugated, angle-fluted formulated cellulose Treated with thermosetting resin for strength and prevention of algae	Accessible reservoir cap for convenient water treatment access Drain plug and flush valve for water removal



Onboard Variable Speed Control

¹ Maximum amperage includes both the fan and pump ratings.
² Not suitable for salt air environments.
³ Fans are sound tested in a laboratory environment. Actual results in field conditions may vary due to sound reflecting surfaces and environmental conditions.

Lead times may vary.
 See full warranty for coverage information.



USA
 BIGASSFANS.COM
 877-244-3267

CANADA
 BIGASSFANS.COM
 844-924-4277

AUSTRALIA
 BIGASSFANS.COM/AU
 1300 244 277

SINGAPORE
 BIGASSFANS.COM/SG
 65 6709 8500

MALAYSIA
 BIGASSFANS.COM/SG
 603 5565 0888