

Manual

Lightair IonFlow 50

Air Purifier

Style

Signature

Surface/Evolution

Solution

ENGLISH

ITALIANO

NORSK

РУССКИЙ

DEUTSCH

NEDERLANDS

SUOMI

日本語

FRANÇAIS

SVENSKA

POLSKI

中文(繁體)

ESPAÑOL

DANSK

العربية

中文(简体)

LAIFST

LAIFSU

LAIFSU2

LAIFSK2

www.lightair.com

LIGHTAIR 
Air purification for life

ENGLISH

SAFETY INSTRUCTIONS

Please read through the instructions before using this air purifier and keep this instruction manual in a safe place.

Guide for installation is found on page 66 (sketches)

This appliance can be used by children aged from 8 years and above and persons with reduced physical, sensory or mental capabilities, or lack of experience and knowledge if they have been given supervision or instruction concerning use of the appliance in a safe way and understand the hazards involved.

Children shall not play with the appliance. Cleaning and user maintenance shall not be made by children without supervision.

Ensure that the connected voltage supply is the same as marked on the rating label.

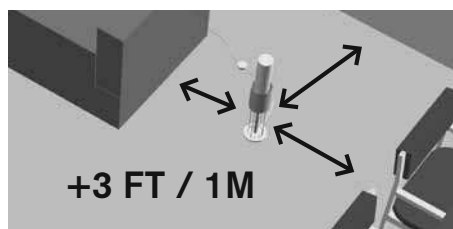
The appliance is only to be used with power supply unit provided with appliance.

The air purifier is an electrical appliance and should be treated as such. Be particularly careful to avoid accidents during installation, use, and maintenance.

The air purifier should be installed and cleaned by adults.

The air purifier should be installed according to the instructions, at the correct distance from a wall and placed on a secured and stable surface. If incorrectly placed, the air purifier may fall and cause injury to people or damage to its surroundings.

We recommend that you place the Style/Signature/Surface/Evolution/Solution models at least 3 feet (1 meter) away from all walls and furniture and that you hang the Solution model 1.5 feet (0.5 meter) down from the ceiling. If these recommendations are not followed, nearby walls and/or furniture may become somewhat dirty.



Never use the air purifier with a damaged power cable, damaged transformer or damaged electronics.

If the main lead is damaged it must be replaced by a qualified person.

ENGLISH

To prevent from electric shock, fire, personal injury and any other hazard do not immerse the air purifier including the transformer into water or any other liquid.

Do not place the air purifier or cable near a heat source.

Do not use the air purifier outdoors.

Do not use the air purifier in damp rooms.

Do not use the air purifier in conjunction with coloured or oil-based candles, as they emit soot which can become attached to walls and furniture.

You may experience a small electric discharge when touching the collector. This is harmless! If you find this discharge unpleasant, unplug the appliance before handling it and use the protective guard when the air purifier is on. Note that the protective guard is optional and not necessary from a safety perspective.

SAFETY INSTRUCTIONS FOR SOLUTION ONLY

You must arrange a ceiling fixture that withstands a minimum weight of 9 kg.

Before installation: Make sure no current exists on incoming wiring. Connections must be carried out in accordance to wiring regulations.

Hazard: Electric shock.

Before maintenance: Make sure the air purifier is disconnected from the power supply.

Warning: Never remove the hanger from ion generator under load!

INSTRUCTIONS FOR INSTALLATION FOR SOLUTION ONLY

1. Secure the steel bracket into the ceiling (Sketch 1 page 68)
2. Mount transformer onto the steel bracket (Sketch 3-4 page 68)
3. Connect power wiring to terminal block (Sketch 5-6 page 69)
4. Hang the YoYo onto hook of steel bracket (sketch 7-8 page 69)
5. Mount canopy housing and turn to secure attachment to steel bracket (sketch 9-10 page 69)
6. Connect the hanger into the ion generator, snap-fit (click) (sketch 11-14 page 70)

Note: *Lightair cannot be held responsible for any damage caused as a result of failure to follow the recommendations.*

ENGLISH

PRODUCT DESCRIPTION

IonFlow 50, Style, Signature, Surface & Evolution:

- 1 ion generator (above= 3 corona needles, below=outlet and metal hook)
- 1 collector
- 1 acrylic stand
- 1 switch
- 1 transformer
- 4 decorative lights
- 1 protective guard (32 slats and 2 assembly rings)
- 1 corona needle brush

IonFlow 50 Solution:

- 1 ion generator (above=outlet and metal hook, below=3 corona needles)
- 1 collector
- 1 bracket
- 1 transformer
- 1 canopy
- 1 pressure relief device
- 1 corona needle brush

CLEANING AND MAINTENANCE

You **MUST** disconnect the power supply and turn off the air purifier before cleaning.

Do **NOT** wash the collector in the dishwasher.

Do **NOT** use cleaning products that contain alcohol solutions, ammonia, or alkaline substances, as these products may damage the air purifier.

The collector should be cleaned approx. once every two weeks or when needed. The collector may require more frequent cleaning if used in highly contaminated environments.

Cleaning the collector:



1. Clean the collector with washing-up liquid, water, and a soft sponge.
2. Dry the collector with a dish towel.
3. Put the collector back on the ion generator according to the above instructions.

If you have followed the above instructions but the collector is still not clean, try the following:

1. Spray detergent onto the collector and let it work for 5 minutes.
2. Use a damp sponge and rub any remaining spots until they disappear.
3. Dry the collector with a dish towel and place it back on the ion generator according to the above instructions.
4. Repeat the above procedure if necessary.

Cleaning the ion generator, corona needles and acrylic stand:



Once every two months you should carefully clean the fragile corona needles. Use the small brush that is included in the package and carefully brush away the thin layer of white lime scale and dirt, which may have become

attached to the needles. Do not use pressure or water when you clean the needles.

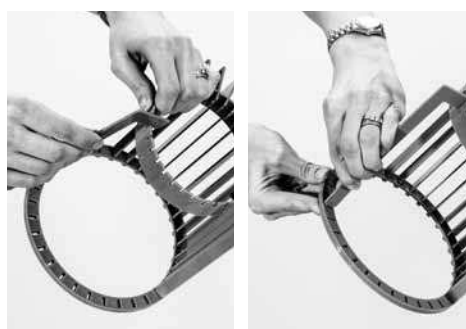
Clean the ion generator and the acrylic stand with a damp cloth or sponge. Wipe clean and rub away any remaining dirt and dry with a towel. Do not allow the top and bottom of the ion generator to come into contact with water and be careful with the corona needles.

ACCESSORIES IONFLOW 50, STYLE, SIGNATURE, SURFACE & EVOLUTION:

4 Decorative lights



Protective guard



For warranty see www.lightair.com

Correct disposal of this product: This marking indicates that this product should not be disposed with other household wastes throughout the EU. To prevent possible harm to the environment or human health from uncontrolled waste disposal, recycle it responsibly to promote the sustainable reuse of material resources. To return your used device, please use the return and collection systems or contact the retailer where the product was purchased. They can take this product for environmental safe recycling.



中文(繁體)

警告說明

使用本空氣淨化器之前，請仔細閱讀使用說明，並妥善保管本說明書。

安裝指南見於第66頁(示意圖)

8歲及以上兒童以及身體、感官或精神方面有缺陷或者缺乏知識經驗的人群在有人監督或獲得有關安全使用本器具的指導並且清楚所涉及的危害的情況下可以使用本器具；

禁止兒童玩耍本器具。在沒有人監督的情況下，兒童不可對器械進行清潔和維護操作。

連接的電源電壓必須和標籤上的額定電壓相同。

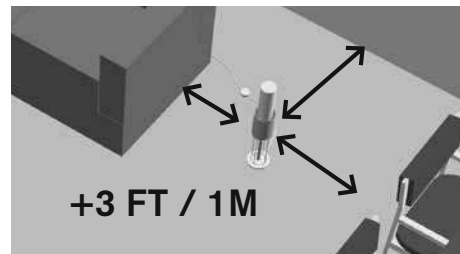
該設備只能使用隨設備一起提供的電源裝置。

本空氣淨化器為電子設備，應正確使用。在安裝、使用和維護本產品時，必須謹慎操作，以免發生意外。

本空氣淨化器應由成人進行安裝和清潔。

必須遵照使用說明，將本空氣淨化器安裝在距牆壁適當距離的穩固表面上。如安放位置不當，可導致空氣淨化器摔落，從而造成人身傷害或周圍物品損壞。

我們建議您將Style/Signature/Surface/Evolution/Solution 型號安裝在距離牆壁和傢俱至少3英尺(x1米)遠的位置，同時將Solution型號懸掛在天花板下1.5英尺(x0.5米)處。如未遵循上述建議，可導致附近的牆壁和傢俱髒污。



嚴禁將破損的電源線、電源適配器或電子設備用於本空氣淨化器。

如電源線損壞，應由專業人員進行更換。

為避免發生電擊、火災、人身傷害及其它危險，請勿將本空氣淨化器(包括電源適配器)浸入水中或其它液體內。

請勿將本空氣淨化器或電線靠近熱源擺放。

請勿在室外使用本空氣淨化器。

在使用空氣淨化器時請勿使用彩色蠟燭或油燭，以免蠟燭燃燒時釋放的煙灰粘附到牆壁和傢俱上。

在接觸吸附裝置時，可能會發生微放電現象。它不會對人體構成直接傷害！如果您不希望接觸這種放電現象，請拔下電源插頭後再進行處理，並在開著空氣淨化器時使用防護罩。注意：防護罩是非強制裝配件，可按需要決定安裝與否。

Solution安全與安裝說明

您必須 安裝一個天花板固定裝置，該裝置須能承受至少9公斤重量

在安裝前：確保進線無電流通過。線路的連接必須符合接線規定。

危險：觸電危險

在維護前：確保將空氣淨化器與電源斷開。

警告：切勿從處於負載下的離子生成器中取出吊架！

針對安裝的安全說明

1. 將鋼製托架固定到天花板上(示意圖1,第68頁)
2. 將變壓器安裝在鋼製托架上(示意圖3-4,第68頁)
3. 將電源線連接至接線板(示意圖5-6,第69頁)
4. 將YoYo掛在鋼製托架的掛勾上(示意圖7-8,第69頁)
5. 安裝外罩並將其固定在鋼製托架上(示意圖9-10,第69頁)
6. 將吊架插入離子發生器的卡扣(會聽到卡嗒聲)(示意圖11-14,第70頁)

注意：對於因未遵循上述建議而導致的任何損壞，Lightair不承擔任何責任。

中文(繁體)

產品描述

IonFlow 50 Style, Signature, Surface, Evolution :
1個離子發生器（上面= 3只電暈針，下面=介面和金屬鉤）
1個吸附裝置
1只壓克力支架
1只開關
1只電源適配器
4只裝飾燈
1只防護罩（32只翼片和2只裝配環）
1只電暈針毛刷

IonFlow 50 Solution型：
1個離子發生器（上面=介面和金屬鉤，下面=3只電暈針）
1個吸附裝置
1個支架
1個變壓器
1個罩蓬
1個卸壓裝置
1只電暈針毛刷

清潔與保養

清潔前，請務必斷開電源並關閉空氣淨化器。

請勿使用洗碗機清洗吸附裝置。

請勿使用含有酒精溶液、氨或鹼性物質的清潔產品，以免損壞空氣淨化器。

吸附裝置應大約每兩周清洗一次或在需要時清洗。如用於污染嚴重的環境，則需要更頻密地清洗吸附裝置。

清潔吸附裝置：



1. 使用清潔劑、水和柔軟的海綿清潔吸附裝置。
2. 使用擦碟布將吸附裝置擦乾。
3. 遵循上述說明，將吸附裝置重新裝到離子發生器上。

如果您照此執行後吸附裝置仍未清洗乾淨，請嘗試以下步驟：

1. 在吸附裝置上噴灑清潔劑並保持五分鐘。

2. 用濕海綿擦除剩餘的污漬。

3. 用擦碟布將吸附裝置擦乾，並遵循上述說明，將吸附裝置重新裝到離子發生器上。

4. 如有必要，請重複以上步驟。

清潔離子發生器、電暈針和壓克力支架



應每兩個月仔細清潔一次極易損壞的電暈針。使用隨產品附贈的小毛刷仔細將電暈針上粘附的熟石灰層和污垢刷去。清潔電暈針時請勿用力或使用水。

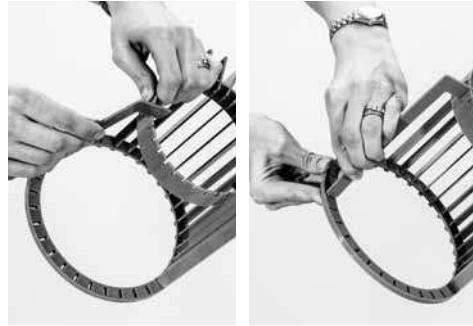
使用濕布或濕海綿清潔離子發生器和壓克力支架。擦除剩餘的污漬，然後用毛巾擦乾。離子發生器的上下兩端不能沾水，不要損壞或弄斷電暈針。

IONFLOW 50附件
IONFLOW 50 STYLE, SIGNATURE, SURFACE, EVOLUTION :

4只裝飾燈

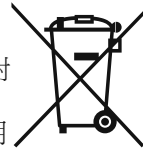


防護罩



保修信息，請參見 www.lightair.com。

妥善地處置該產品：該標誌表明，在整個歐盟地區內，不能將該產品與其他家庭廢棄物放在一起進行處置。為防止不受控制的廢物處置可能對環境或人類健康造成的損害，請負責任地將其回收，以幫助可持續地重新利用材料資源。請使用回收系統或聯繫出售該產品的零售商來回收用後的設備。他們能夠以環保的方式對該產品進行回收利用。



中文(简体)

警告说明

使用本空气净化器之前, 请仔细阅读使用说明, 并妥善保管本说明书。

安装指南见于第66页(示意图)

本设备可由8岁及以上年龄的儿童以及身体、感官或心智能力低下或缺乏经验和知识的人使用, 如果他们被给予有关安全使用本产品的监督或指示并理解涉及的危险。

儿童不应将本设备当作玩具。在无人监督的情况下不可由儿童清洗和维护本设备。

连接的电源电压必须和卷标上的额定电压相同。

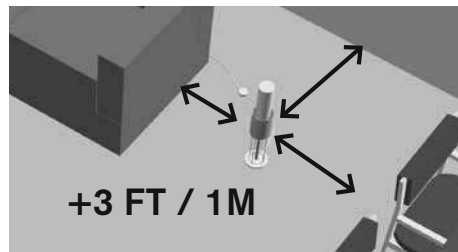
该设备只能使用随设备一起提供的电源装置。

本空气净化器为电子设备, 应正确使用。在安装、使用和维护本产品时, 必须谨慎操作, 以免发生意外。

本空气净化器应由成人进行安装和清洁。

必须遵照使用说明, 将本空气净化器安装在距墙壁适当距离的稳固表面上。如安放位置不当, 可导致空气净化器摔落, 从而造成人身伤害或周围物品损坏。

我们建议您将Style/Signature/Surface/Evolution/Solution 型号安装在距离墙壁和家具至少3英尺(×1米)远的位置, 同时将Solution型号悬挂在天花板下1.5英尺(×0.5米)处。如未遵循上述建议, 可导致附近的墙壁和家具脏污。



严禁将破损的电源线、电源适配器或电子设备用于本空气净化器。

如电源线损坏, 应由专业人员进行更换。

为避免发生电击、火灾、人身伤害及其它危险, 请勿将本空气净化器(包括电源适配器)浸入水中或其它液体中。

请勿将本空气净化器或电线靠近热源摆放。

请勿在室外使用本空气净化器。

在使用空气净化器时请勿使用彩色蜡烛或油烛，以免蜡烛燃烧时释放的烟灰粘附到墙壁和家具上。

在接触吸附装置时，可能会发生微放电现象。它不会对人体构成直接伤害！如果您不希望接触这种放电现象，请拔下电源插头后再进行处理，并在开着空气净化器时使用防护罩。注意：防护罩是非强制装配件，可按需要决定安装与否。

Solution安全与安装说明

您必须 安装一个天花板固定装置，该装置须能承受至少9公斤重量
在安装前：确保进线无电流通过。线路的连接必须符合接线规范。

危险：触电危险

在维护前：确保将空气净化器与电源断开。

警告：切勿从处于负载下的离子发生器中取出吊架！

针对安装的安全说明

1. 将钢制托架固定到天花板上（示意图1，第68页）
2. 将变压器安装在钢制托架上（示意图3-4，第68页）
3. 将电源线连接至接线板（示意图5-6，第69页）
4. 将YoYo挂在钢制托架的挂勾上（示意图7-8，第69页）
5. 安装外罩并将其固定在钢制托架上（示意图9-10，第69页）
6. 将吊架插入离子发生器的卡扣（会听到卡嗒声）（示意图11-14，第70页）

注意：对于因未遵循上述建议而导致的任何损坏，Lightair不承担任何责任。

中文(简体)

产品描述

IonFlow 50 Style, Signature, Surface & Evolution:

- 1 个离子发生器 (上面= 3只电晕针, 下面=界面和金属钩)
- 1 个吸附装置
- 1 只亚克力支架
- 1 只开关
- 1 只电源适配器
- 4 只装饰灯
- 1 只防护罩 (32只翼片和2只装配环)
- 1 只电晕针毛刷

IonFlow 50 Solution型:

- 1 个离子发生器 (上面=界面和金属钩, 下面=3只电晕针)
- 1 个吸附装置
- 1 只托座
- 1 个电源适配器
- 1 个顶盖
- 1 个卸压装置
- 1 只电晕针毛刷

清洁与保养

清洁前, 请务必断开电源并关闭空气净化器。

请勿使用洗碗机清洗吸附装置。

请勿使用含有酒精溶液、氨或碱性物质的清洁产品, 以免损坏空气净化器。

吸附装置应大约每两周清洗一次或在需要时清洗。如用于污染严重的环境, 则需要更频繁地清洗吸附装置。

清洁吸附装置:



1. 使用清洁剂、水和柔软的海绵清洁吸附装置。
2. 使用擦碟布将吸附装置擦干。
3. 遵循上述说明, 将吸附装置重新装到离子发生器上。

如果您照此执行后吸附装置仍未清洗干净, 请尝试以下步骤:

1. 在吸附装置上喷洒清洁剂并保持五分钟。
2. 用湿海绵擦除剩余的污渍。
3. 用擦碟布将吸附装置擦干, 并遵循上述说明, 将吸附装置重新装到离子发生器上。
4. 如有必要, 请重复以上步骤。

清洁离子发生器、电晕针和亚克力支架



应每两个月仔细清洁一次极易损坏的电晕针。使用随产品附赠的小毛刷仔细将电晕针上粘附的熟

石灰层和污垢刷去。清洁电晕针时请勿用力或使用水。

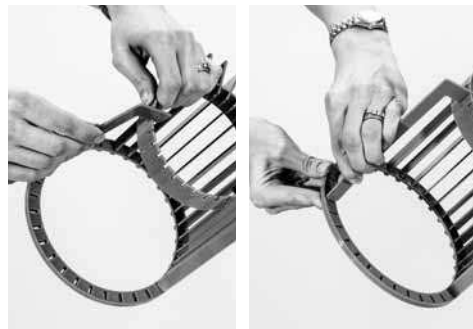
使用湿布或湿海绵清洁离子发生器和压克力支架。擦除剩余的污渍，然后用毛巾擦干。离子发生器的上下两端不能沾水，不要损坏或弄断电晕针。

IONFLOW 50附件
IONFLOW 50 STYLE, SIGNATURE, SURFACE & EVOLUTION:

4只装饰灯



防护罩



保修信息，请参见 www.lightair.com。

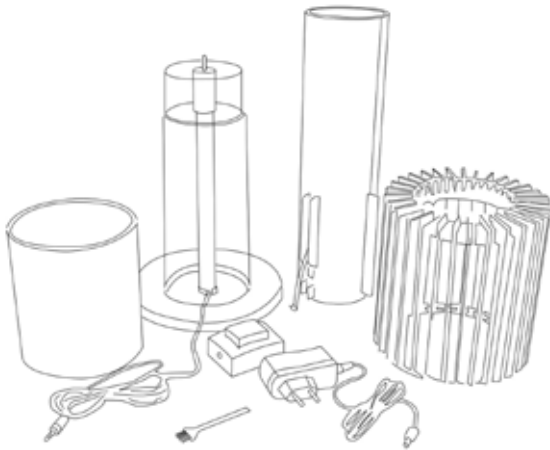


妥善地处置该产品：该标志表明，在整个欧盟地区内，不能将该产品与其他生活垃圾放在一起进行处置。为防止不受控制的废物处置可能对环境或人类健康造成的损害，请负责任地将其回收，以帮助可持续地重新利用材料资源。请使用回收系统或联系出售该产品的零售商来回收用后的设备。他们能够以环保的方式对该产品进行回收利用。

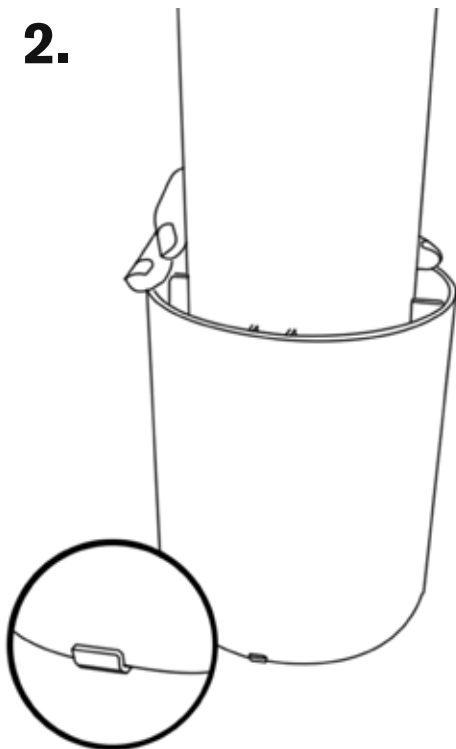


ASSEMBLY INSTRUCTIONS: STYLE, SIGNATURE, SURFACE AND EVOLUTION

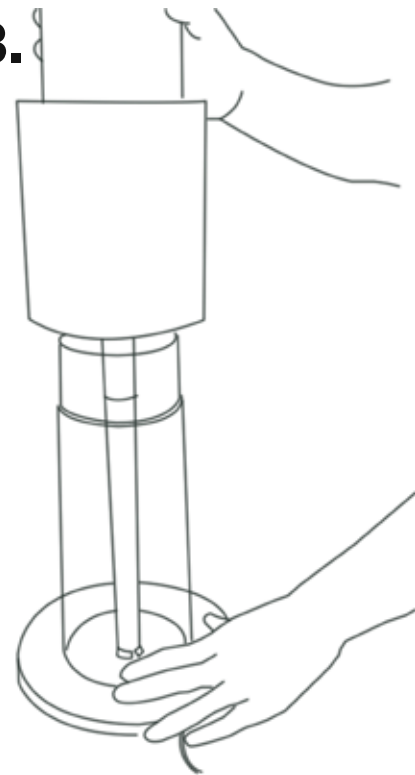
1.



2.

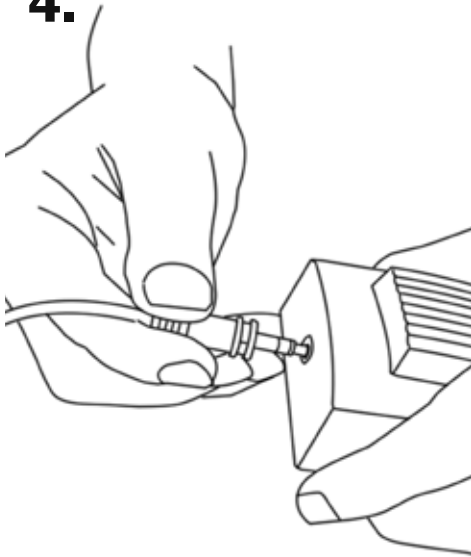


3.

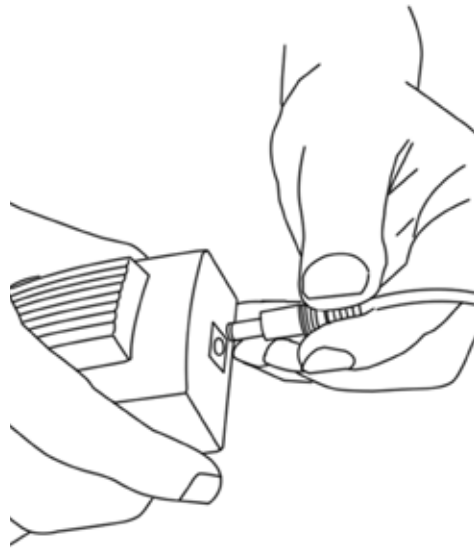


ASSEMBLY INSTRUCTIONS: STYLE, SIGNATURE, SURFACE AND EVOLUTION

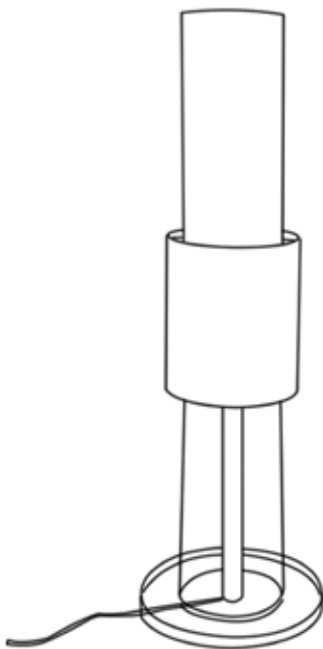
4.



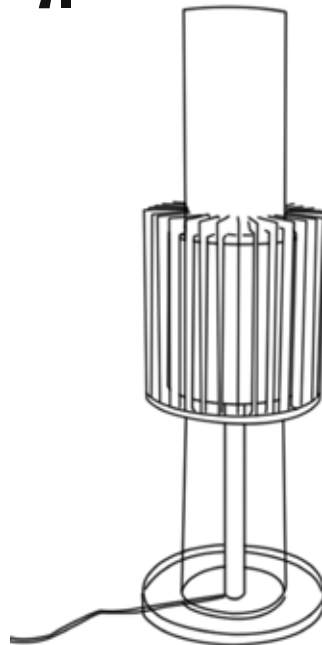
5.



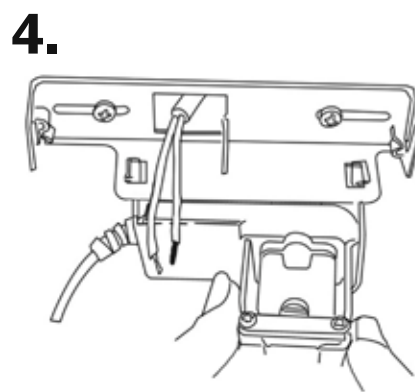
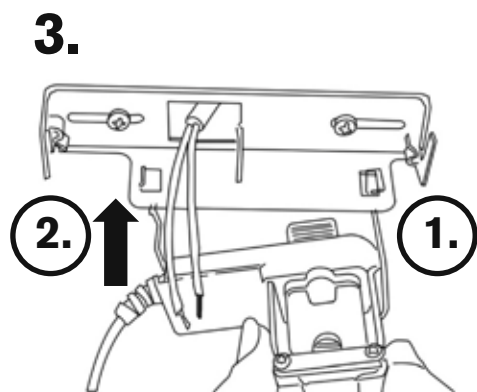
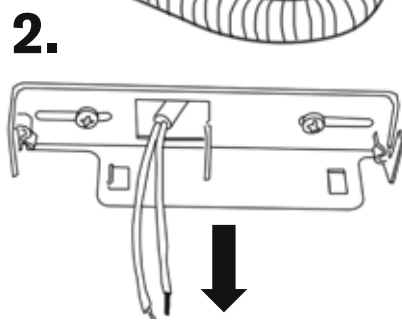
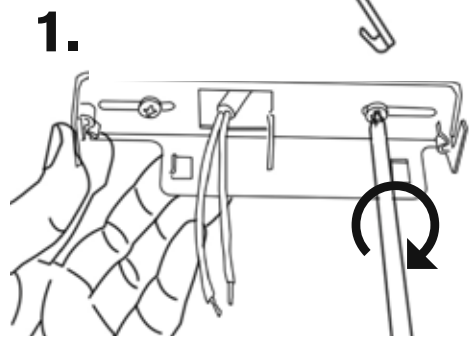
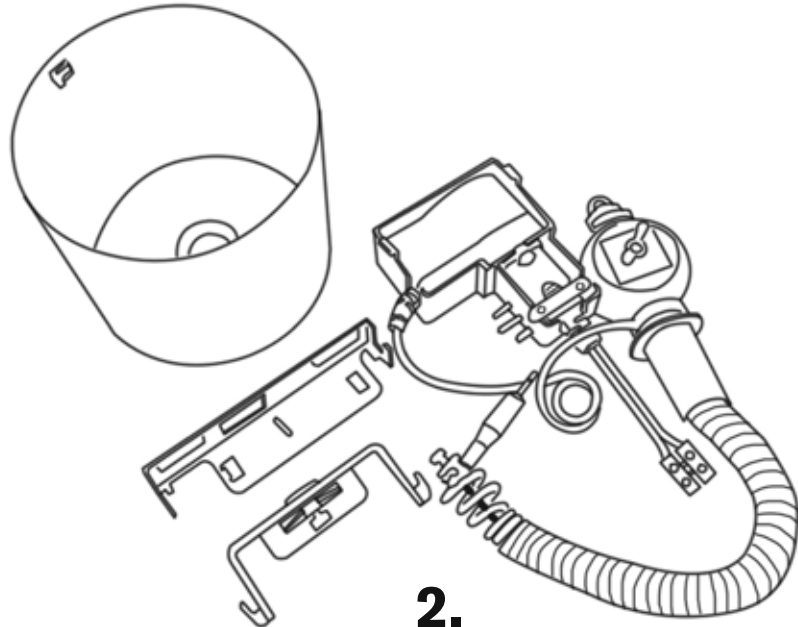
6.



7.

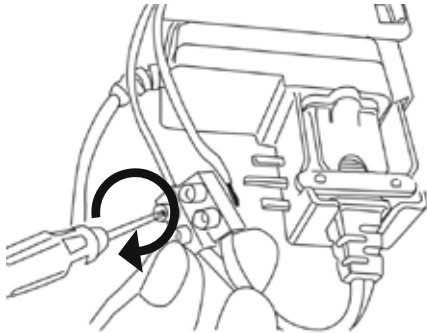


ASSEMBLY INSTRUCTIONS: SOLUTION

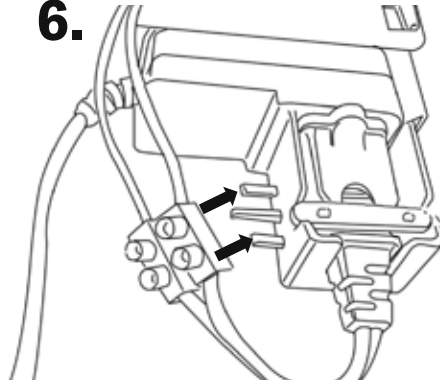


ASSEMBLY INSTRUCTIONS: SOLUTION

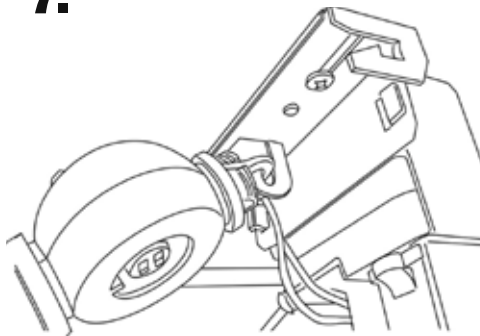
5.



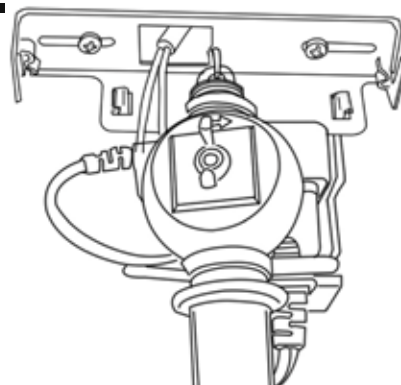
6.



7.



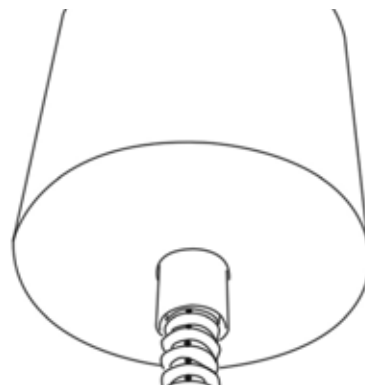
8.



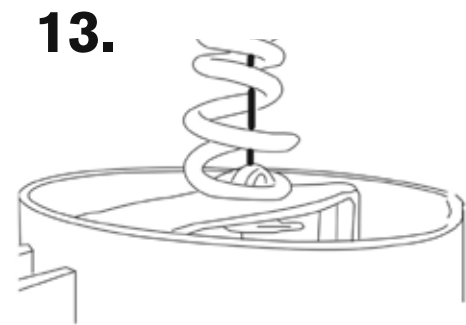
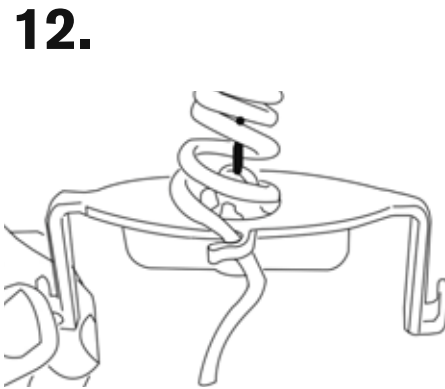
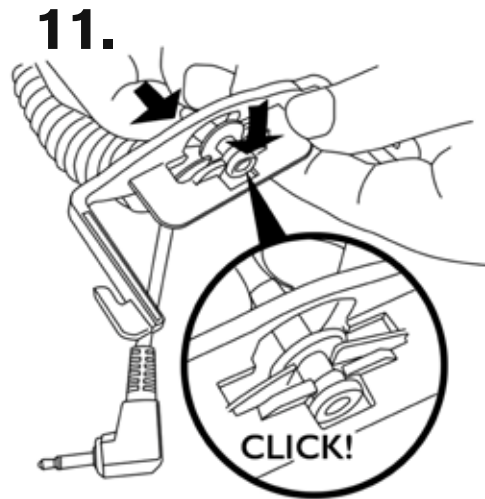
9.



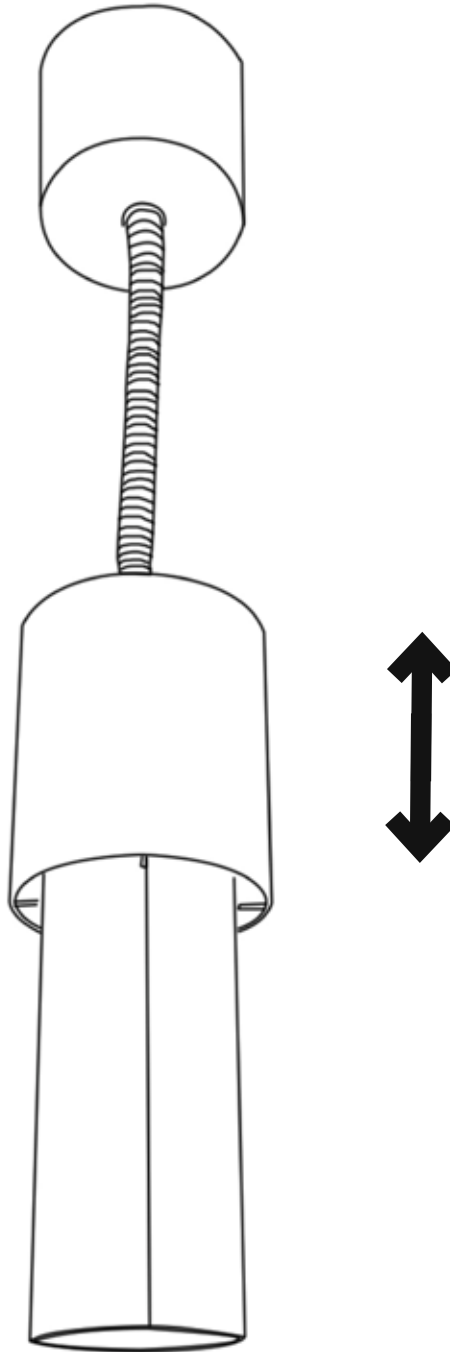
10.



ASSEMBLY INSTRUCTIONS: SOLUTION



ASSEMBLY INSTRUCTIONS: SOLUTION



CERTIFIED ACCORDING TO UL 867

This air cleaner complies with the federal ozone emissions limit.
ARB CERTIFIED



*Having reduction role of inhalable particle on indoor air.
Release ozone content lower than inspected limit.*

This appliance complies with the European Directives for electromagnetic compatibility (EMC) 2004/108/EC and its revisions, as well as Low Voltage Directive (LVD) 2006/95/EC and its revisions.

This appliance complies with the WEEE-Directive 2002/96/EC on the disposal of electrical and electronic equipment (WEEE).

This product should not be disposed with other household wastes throughout the EU. To prevent possible harm to the environment or human health from uncontrolled waste disposal, recycle it responsibly to promote the sustainable reuse of material resources. To return your used device, please use the return and collection systems or contact the retailer where the product was purchased. They can take this product for environmental safe recycling.

WARNING: Changes or modifications to this unit not expressly approved by the party responsible for compliance could void the user's authority to operate the equipment.

NOTE: This equipment has been tested and found to comply with the limits for a Class B ISM equipment, pursuant to Part 18 of the FCC Rules. These limits are designed to provide reasonable protection against harmful interference in a residential installation. This equipment generates, uses, and can radiate radio frequency energy and, if not installed and used in accordance with the instructions, may cause harmful interference to radio communications. However, there is no guarantee that interference will not occur in a particular installation. If this equipment does cause harmful interference to radio or television reception, which can be determined by turning the equipment off and on, the user is encouraged to try to correct the interference by one or more of the following measures:

- REORIENT OR RELOCATE THE RECEIVING ANTENNA.
- INCREASE THE SEPARATION BETWEEN THE EQUIPMENT AND RECEIVER.
- CONNECT THE EQUIPMENT INTO AN OUTLET ON A CIRCUIT DIFFERENT FROM THAT TO WHICH THE RECEIVER IS CONNECTED.
- CONSULT THE DEALER OR AN EXPERIENCED RADIO TV TECHNICIAN FOR HELP.

Electrical rating: 12VDC (with class II AC/DC adaptor, input: 100 – 240VAC 50/60Hz 0.4A max., output: 12VDC 600 – 1000mA)

LIGHTAIR
Air purification for life

Lightair AB • Smidesvägen 8 • 171 41 Solna • Sweden

info@lightair.com • www.lightair.com